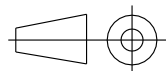
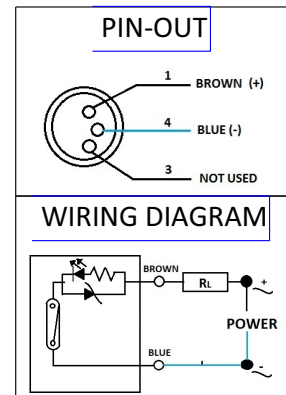
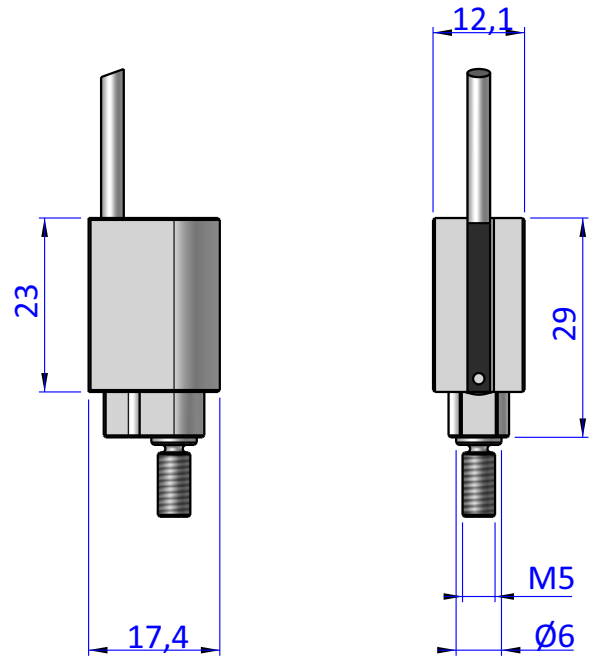
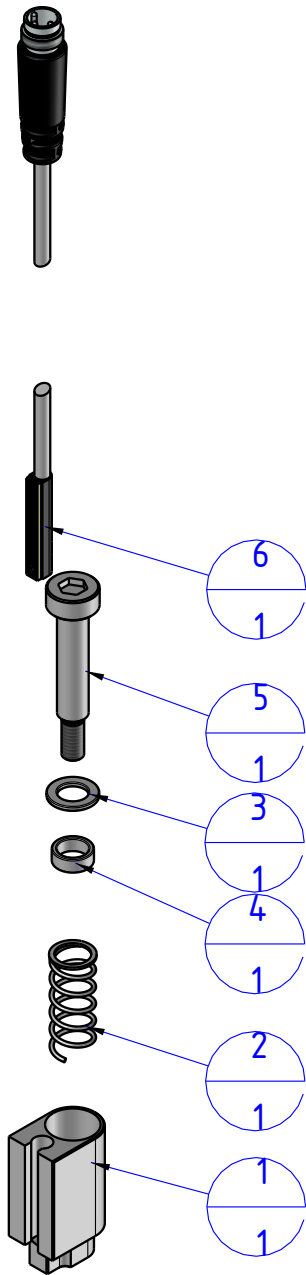
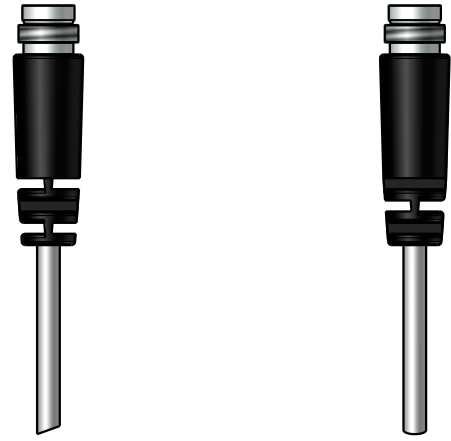


THE PROPERTY OF THE DRAWING IS ESTABLISHED BY LAW. IT IS FORBIDDEN TO PRODUCE OR SHOW IT TO THIRD PART. WITHOUT A WRITTEN AGREEMENT.

Item	Name	Q.ty
1	CUXY.90.7	1
2	DIM.D11760	1
3	CUXY.90.9	1
4	CUXY.90.10	1
5	V.UMB.06.25.M5	1
6	KT58REQD	1



DESIGNED FROM		REVIEW
FPS Automation		A
DATE	WEIGHT	
03/03/2021	0,017kg	
CODE		
CA.CUDL.03		

Format A4

UNI 936-76

GENERAL TOLERANCE

UNI - ISO 2768

CLASSE f

DESCRIPTION

CA.CUDL.03